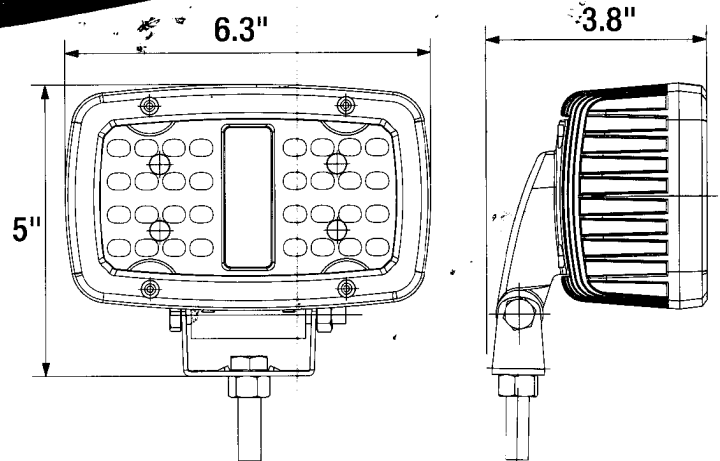
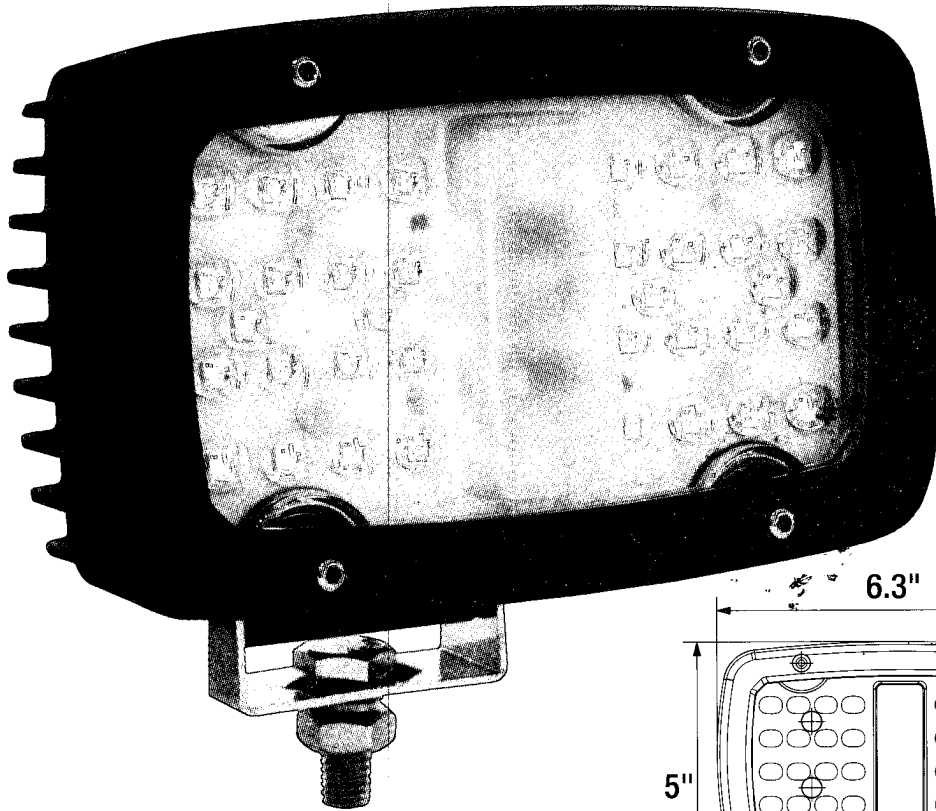


NEW PRODUCT



All dimensions shown are nominal.

LED RECTANGULAR FLOOD LIGHT

- New HLD technology combines Highest Lumen Density optics for maximum light output
- 7920 Lumens
- 36 LEDs
- Clear lens
- 12-24V, 4.9 Amps @ 12V
- IP68, IP69K Waterproof rating
- Aluminum housing with black powdercoat
- 11" Lead w/blunt cut ends
- Dimensions: 6.3" x 5.0" x 3.8"
- Retail packaged
- 5-year warranty

In Stock for Immediate Shipping!

PART NO.	DESCRIPTION	LIST	NET EA. 1-9	NET EA. 10-49	NET EA. 50-99	NET EA. 100+	PROD. CAT.	WT.
1492194	36 LED Flood Light	131.90	65.95	62.67	59.54	54.95	889	1.88 lbs.

Pricing is consistent with current market conditions and is subject to change without notice.

9049 Tyler Blvd. • Mentor, Ohio 44060
Phone (440) 974-8888 • Fax (800) 841-8003
Email: orders@buyersproducts.com

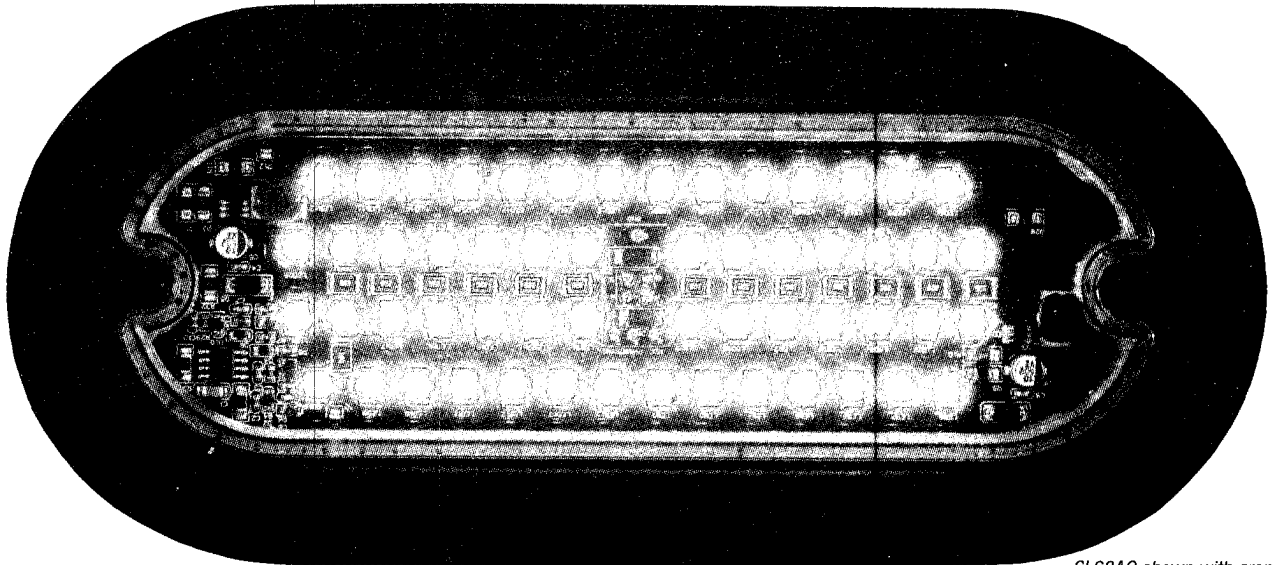
For more information visit www.buyersproducts.com



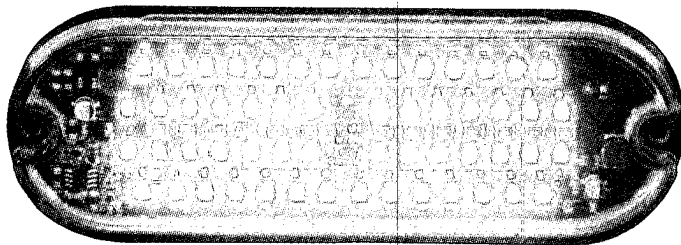
082217

LIT1492194_A

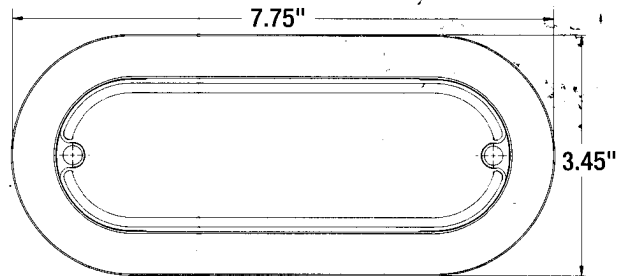
NEW PRODUCT



SL68AO shown with grommet



SL68AO shown as surface mount



LED 6" Oval Strobe Lights

- SAE J595, Class 2 rated*
- 56 LED's
- 12-24 Volt
- 0.5 Amp
- 19 flash patterns
- Clear polycarbonate lens
- Grommet or surface mount
- Operating temp. range -22°F to 158°F
- 7.75" lead w/blunt cut ends
- IP68 weatherproof rating
- Retail Packaged
- 5 year warranty

In Stock for Immediate Shipping!

PART NO.	DESCRIPTION	LIST	NET EA. 1-4	NET EA. 5-19	NET EA. 20-39	NET EA. 40+	PROD. CAT.	WT. (LBS.)
SL68AO	6" Oval Strobe, Amber, 56 LEDs, Clear Lens	63.90	31.95	30.97	29.99	28.99	889	0.54
SL68AC*	6" Oval Strobe, Amber/Clear, 56 LEDs, Clear Lens	67.50	33.75	32.11	30.55	28.95	889	0.54

*Multi-colored lights are not SAEJ595 Class 2 rated

Pricing is consistent with current market conditions and is subject to change without notice.

9049 Tyler Blvd. • Mentor, Ohio 44060
 Phone (440) 974-8888 • Fax (800) 841-8003
 Email: orders@buyersproducts.com

For more information visit www.buyersproducts.com



082217

LITSL68AO_A